



Increment-decrement counter suitable for slow counting from mechanical contacts or fast transducers such as proximity, photocontrollers, monodirectional encoders.

Incremental operation: the count starts from zero and counts up to the Set value, enabling the output that remains active until the reset command.

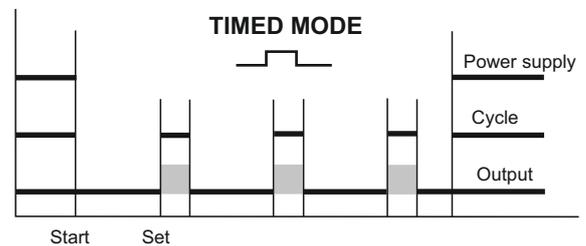
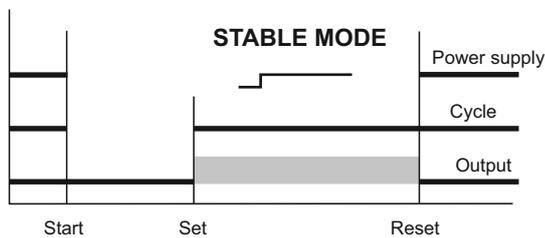
Decreasing operation: the count starts from the preset value up to zero enabling the output that remains active until the reset command.

The output can also work in two different ways: active at the end of the count up to the reset, or timed with automatic reset delayed.

The outputs status is signaled by LEDs placed on the instrument front.

Input power is supplied by the instrument.

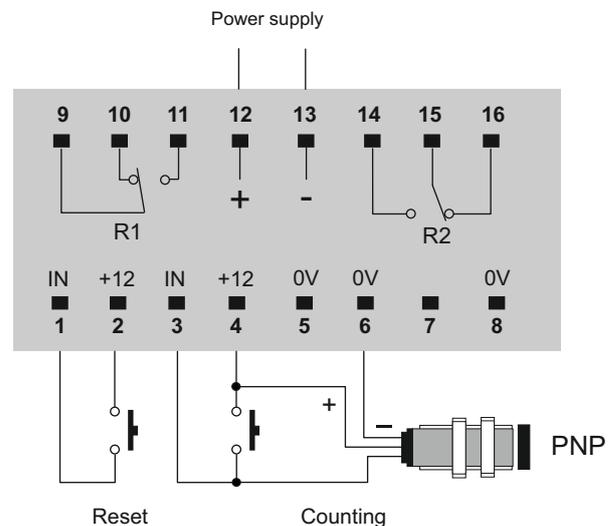
Operating modes



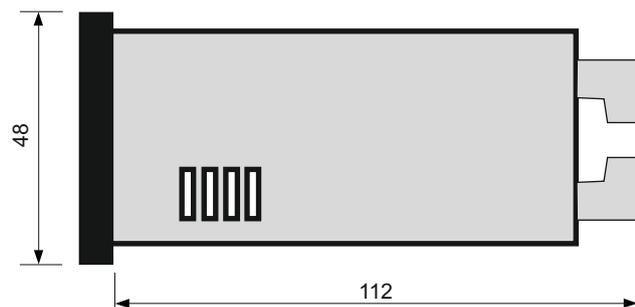
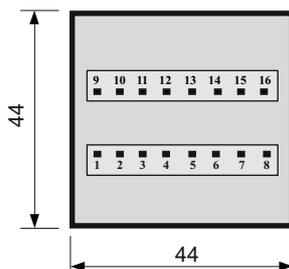
Technical features

Power supply	24Vdc or 24/110/230Vac +/- 10%
Absorption	2,5 VA
Input	Impulsive PNP
Output	Relay
Memory	Eeprom
Count speed	1 KHz
Counting	0 - 9999 full scale
Operation conditions	0.. +55°C / 20..90% R.U. without condensation
Storage conditions	-25.. +80°C / 20..90% R.U. without condensation
Mounting	recessed mounting
Container	Black ABS
Front protection degree	IP65

Electrical connections



Dimensions



SET Programming

When the instrument is activated, the instrument code appears on the display and then the value of the stored count is displayed.

Press  **Set**  **Dato Visualizzato** Scroll through the numbers   up to the desired value.

Let it flash; at the end of the flashing the instrument will exit the Programming.

PARAMETERS Programming

Press together   **PrOg.**  **dP** Decimal Point   Set decimal point

Press  **dir** Count selection  **InC**  **dEC**

Press  **FrEq** Slow-Fast Counting type  **LEn** 

With operation **LEn**  **tAr** Antibounce time   **0.01** Sec. (Minimum time)
2.00 Sec. (Max time)

Press  **USC** Output selection (see operation mode)  Stable output at the count end

Press   Timed output at the count end

Press  **t.USC** Active output time **25.0** Max settable time in sec.

Press  **codA** Count queue due to inertia  **Si**  **no**

Pressing again  you return to the Programming Menu beginning.

If after 5 seconds no operation is carried out, the instrument will automatically exit the Programming, storing all the set Parameters.

  By keeping the two keys pressed for about 2 seconds, the count is reset.